

HOW TO BUILD YOUR OWN GREENHEAD TRAP

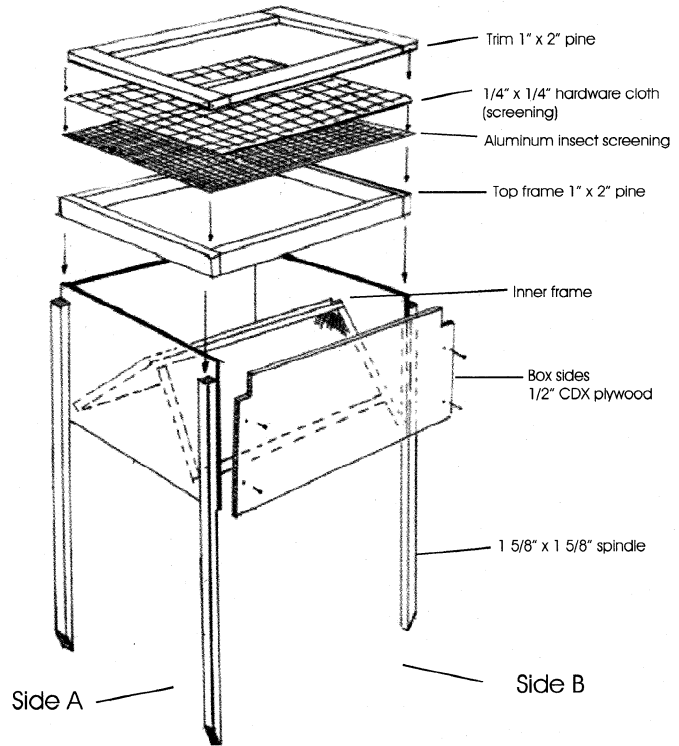
Materials You Will Need to Build 2 Traps

- (1) 4' x 8' sheet of 1/2" CDX exterior plywood
- (8) 1 5/8" x 1 5/8" x 42" pressure treated spindles
- (1) box (50) 1 5/8" deck screws
- (12) 8' pieces 1" x 2" #2 pine
- (6) yds. 36" wide aluminum screening
- (1) qt. Benjamin Moore "Blueberry Hill" paint or equivalent
- (1) box 1/4" staples
- (1) 72" x 36" x 1/4" x 1/4" hardware cloth (galvanized screening) **optional**
- (2) packages of Octenol (insect attractant)

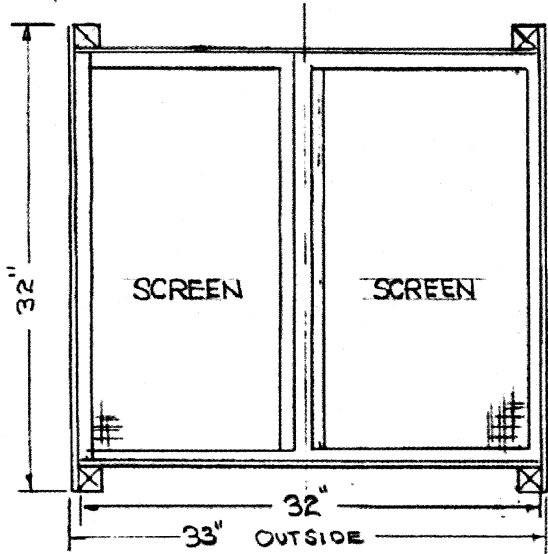
Tools You Will Need

- Saw - jig saw or hand saw
- Electric drill/screw driver
- Staple gun
- Paint brush
- Tape measure

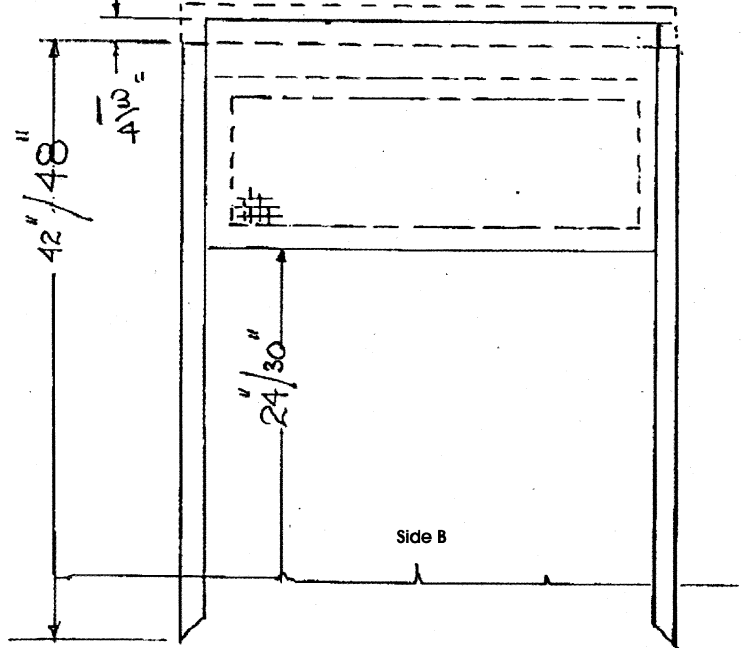
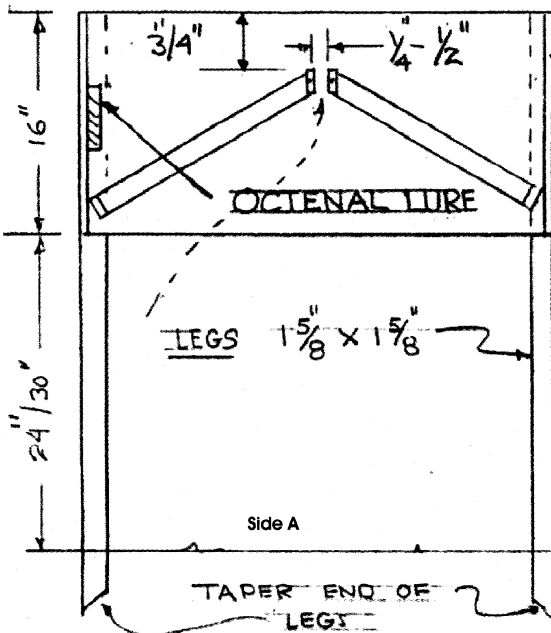
Assembly View



TOP VIEW (SHOWN WITHOUT COVER)



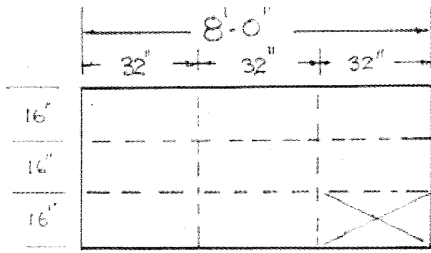
1 5/8" NOTCH



Box style flytraps are an environmentally sensitive and effective method to capture greenhead flies and reduce the population. Ideally, flytraps should be placed where the flies breed, along the edges of the salt marsh at 200 foot intervals. Placement of fly traps in back yards can be quite effective but keep in mind that moving a trap just two or three feet could significantly improve the capture rate. Flytraps should consist of a removable top screen and two internal bottom screens. Blue seems to be the best color for attracting greenhead flies and is approximately 50% more effective than black. Octenol is an attractant that enhances the capture rate by a factor of three.

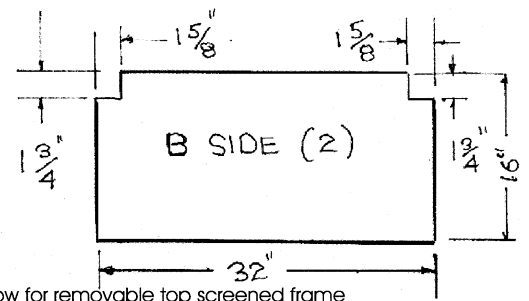
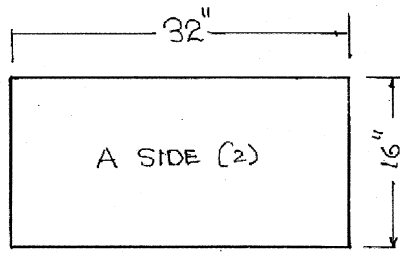
See reverse side for step by step instructions

STEP BY STEP INSTRUCTIONS TO BUILD YOUR OWN GREENHEAD TRAP

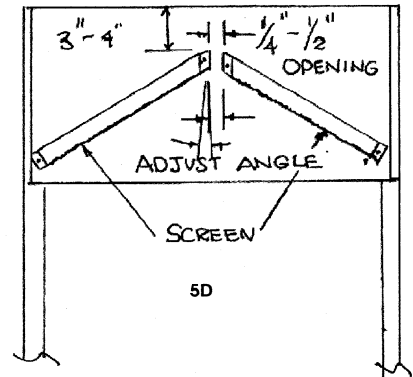
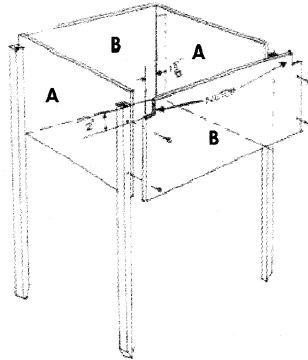
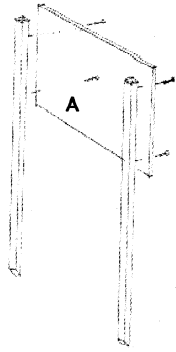


PLYWOOD CUTTING

1. Cut 4' x 8" plywood into (9) 16" x 32" pieces (most Lumber yards will cut to size for an extra charge).

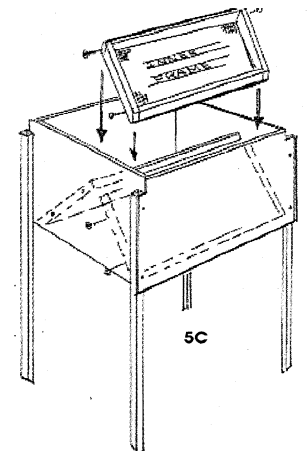
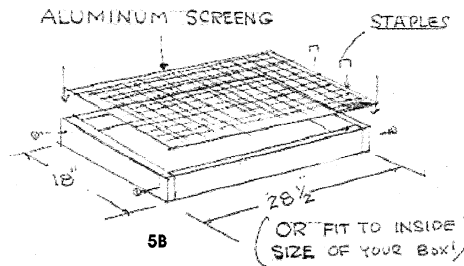
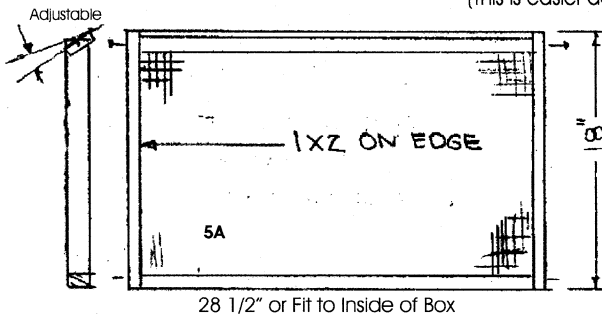


2. Notch upper corners of two sides to allow for removable top screened frame



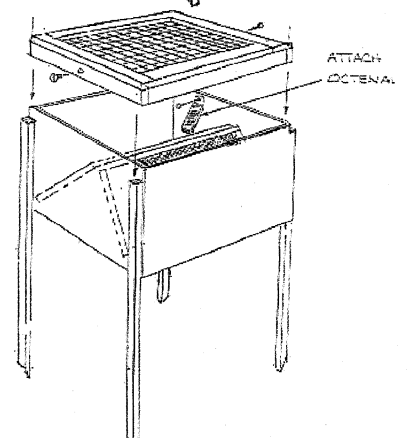
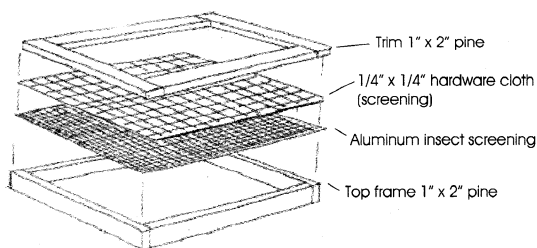
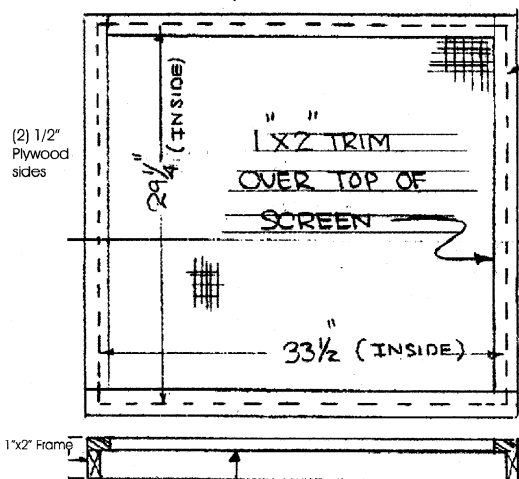
3. Attach legs to (2) 16" x 32" plywood sides

4. Attach two other sides with 1 5/8" deck screws. (This is easier done upside down).



5. Fabricate 2 inner screen frames from 1" x 2" pine, attach with (4) 15/8" deck screws through short 18" side. Attach screening but leave 2 screws loose to allow for adjustment of opening for flies. This should be adjusted after insertion into box body. Refer to drawing 5C & 5D.

NOTE: Fit Top Frame to Actual Size of box



7. Completed unit. Install in an open area away from patios and decks.

6. Fabricate the removable top screened frame as shown. The 1/4" x 1/4" cloth makes for a more vandal proof unit and is optional. Attach to box with 2 screws. This cover is removed to empty dead flies, service unit and replace Octenal lures. **Attach Octenal lures to inside of box.**

Octenal lures (\$5 each plus S&H) can be purchased from Biosensory, Inc. At <http://www.biosensory.com> or (860) 423-3009. They typically last 1-2 months.